

# Trig Ratios of Any Angle

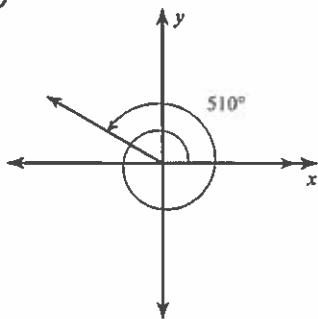
Use a calculator to find each. Round your answers to the nearest ten-thousandth.

1)  $\sec -195^\circ$

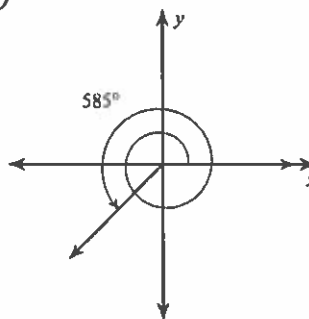
2)  $\cos \frac{13\pi}{12}$

Find the exact value of each trigonometric function.

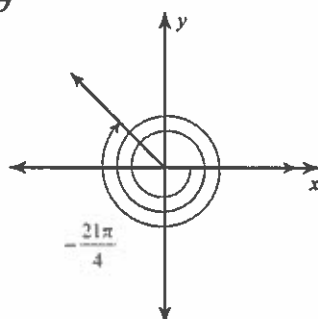
3)  $\sin \theta$



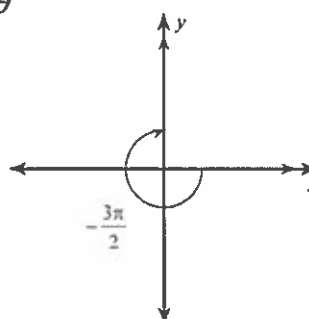
4)  $\cos \theta$



5)  $\tan \theta$



6)  $\cos \theta$



7)  $\cos \frac{17\pi}{4}$

8)  $\cos -810^\circ$

9)  $\cos \frac{9\pi}{4}$

10)  $\sin \frac{15\pi}{4}$

11)  $\sin -\frac{9\pi}{4}$

12)  $\tan -945^\circ$

13)  $\sin -720^\circ$

14)  $\cos \frac{4\pi}{3}$