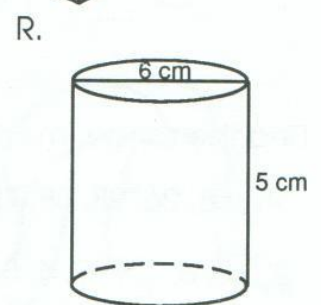
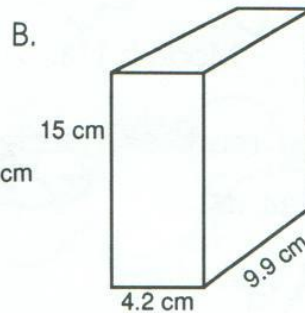
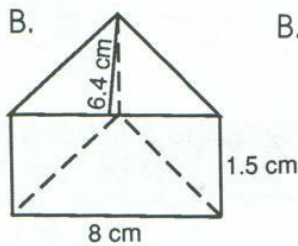
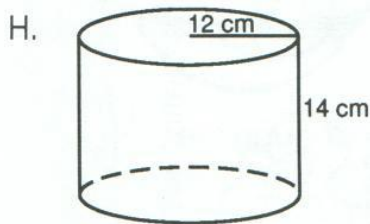
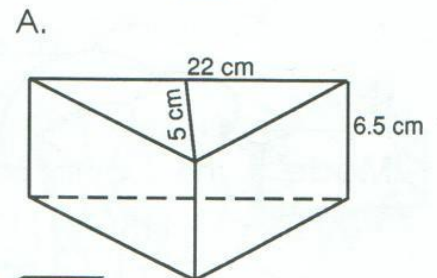
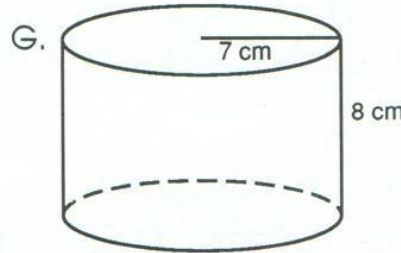
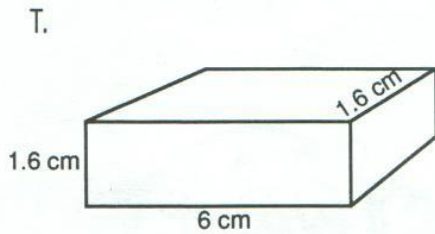
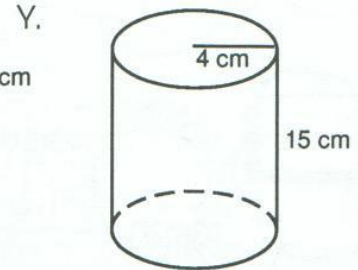
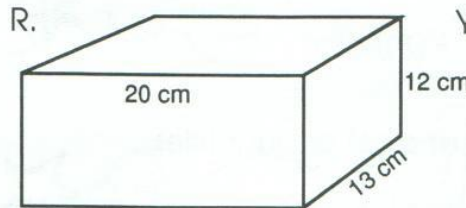
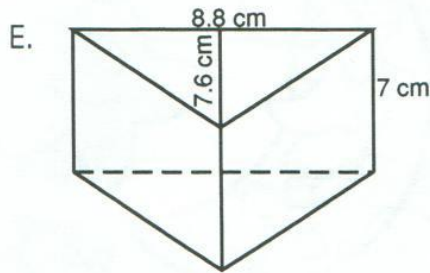
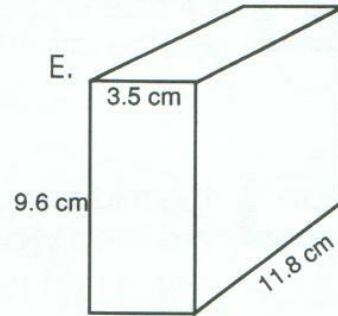
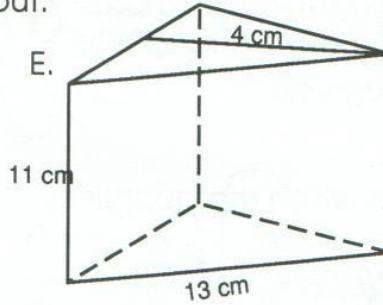
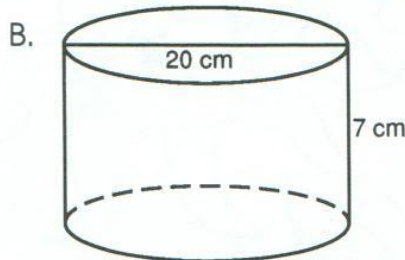




Fascinating Facts

Volume

What famous portrait was painted by Humphrey Bogart's mother? Find the volumes of the following shapes at the bottom of the page and put the corresponding letter above each answer to find out.



_____ 15.36 cm^3 _____ 6330.24 cm^3 _____ 286 cm^3

_____ 1230.88 cm^3 _____ 234.08 cm^3 _____ 141.3 cm^3 _____ 38.4 cm^3 _____ 396.48 cm^3 _____ 3120 cm^3

_____ 623.7 cm^3 _____ 357.5 cm^3 _____ 2198 cm^3 _____ 753.6 cm^3